



CLASSIC SERIES A3S5

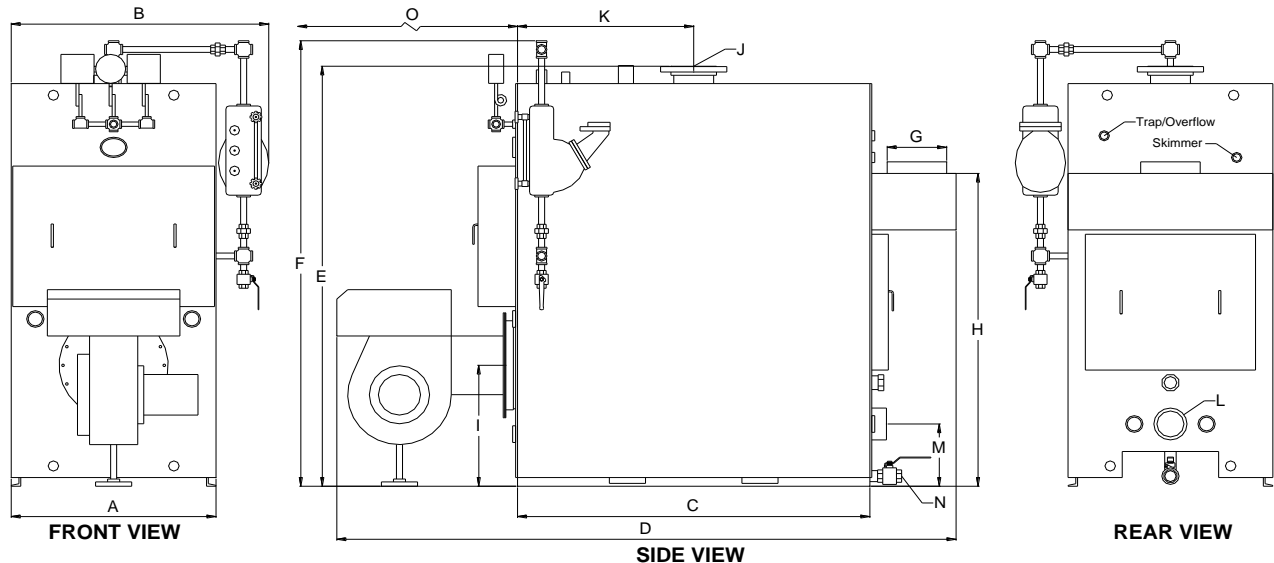
15 PSI STEAM / 30, 40, 80, 150 PSI WATER • 83-88% EFFICIENCY • 5 SQ FT FIRESIDE HEATING SURFACE/BHP
 HORIZONTAL FIRETUBE BOILER MANUFACTURED BY ALDRICH COMPANY FOR OVER 30 YEARS
 HIGH EFFICIENCY • HEAVY DUTY CONSTRUCTION • THREE PASS SCOTCH BOX DESIGN • ASME SECTION IV

BOILER RATINGS & DIMENSIONS

MODEL: A3S5-	12	16	20	25	30	40	50	60	65	75	85	90	100	125	150	200
Gas Input (MBH)	480	645	800	1,000	1,290	1,610	2,010	2,410	2,610	3,020	3,430	3,620	4,035	5,040	6,050	8,100
Oil Input (GPH)	3.4	4.6	5.7	7.1	9.2	11.5	14.4	17.2	18.6	21.6	24.5	25.9	28.8	36.0	43.2	57.9
Output (MBH)	400	535	670	835	1,070	1,340	1,675	2,010	2,175	2,510	2,785	3,015	3,350	4,184	5,020	6,695
Output (Horsepower)	12	16	20	25	30	40	50	60	65	75	85	90	100	125	150	200
Htg Surf. FS (Sq Ft)	60	87	102	125	162	200	250	299	325	375	425	458	508	710	834	1001
Furnace Vol (Cu Ft)	4.5	6.1	6.1	7.7	9.3	13.6	15.8	20.3	20.3	23.2	26.0	28.1	30.2	56.0	66.3	77.6
Water Cap. (Gal, NWL)	89	116	111	138	160	206	226	278	270	306	344	360	402	590	694	787
Dry Weight (LBS)	1,750	2,050	2,150	2,500	2,825	3,500	4,000	4,650	4,800	5,200	5,675	5,950	6,350	8,800	10,750	14,250
A Width	28	28	28	28	28	**35¼	**35¼	**35¼	**35¼	**35¼	**35¼	**35¼	**35¼	42	42	42
B Width With Trim	40	40	40	40	40	46	46	46	46	46	46	46	46	54	54	54
C Length of Skid	29¼	39	39	48¾	58½	58½	68¾	68¾	68¾	78	87¾	92¼	102	111½	131	156
D Overall Length	64	76	76	86	101	103	121	123	123	133	154	156	164	181	200	225
E Supply Height	64	64	64	64	64	72	72	78	78	78	78	78	78	90	90	90
F Height With Trim	72	72	72	72	72	79	79	86	86	86	86	86	86	94½	94½	94½
G Stack Dia., O.D.	6	8	8	8	8	10	10	12	12	12	12	12	12	12	18	20
H Stack Height	50	50	50	50	50	54	54	61	61	61	61	61	61	70	70	70
I Burner Port Height	18	18	18	18	18	19½	19½	19½	19½	19½	19½	19½	19½	23¼	23¼	23¼
J Supply Size (*Flg)	3	3	3	*4	*4	*6	*6	*6	*6	*6	*8	*8	*8	*8	*10	*10
K Supply Location	14½	19½	19½	24½	29	29	34	34	34	39	44	46	51	56	65½	78
L Return Size (NPT)	2	2	3	3	3	4	4	4	4	4	4	4	4	4	4	4
M Return Height	8½	8½	8½	8½	8½	10½	10½	10½	10½	10½	10½	10½	10½	10½	10½	10½
N BD/Drain Size	1½	1½	1½	1½	1½	1½	1½	1½	1½	1½	1½	1½	1½	1½	1½	1½
O Tube Pull Space	30	40	40	50	60	60	69	69	69	79	89	93	103	112	132	157

**WIDTH LISTED AT 35¼" (THIS INCLUDES THE ANGLE TRIM FOR SECURING OUTER BOILER JACKET). WIDTH WITH ANGLE TRIM REMOVED IS 34".

ALL DIMENSIONS ARE IN INCHES. DIMENSIONS SUBJECT TO CHANGE WITHOUT NOTICE. CERTIFIED DRAWING AVAILABLE UPON REQUEST. CONSULT FACTORY FOR CUSTOMIZED APPLICATIONS.



QUALITY • PERFORMANCE • EFFICIENCY • EXPERIENCE

"QUALITY PRODUCTS BY LOYAL CRAFTSMEN" STEEL BOILERS & WATER HEATERS SINCE 1936
 ALDRICH COMPANY • 341 EAST WILLIAMS ST., P.O. BOX 97, WYOMING, IL 61491 • TEL: 309-695-2311 • FAX: 309-695-5779

WWW.ALDRICHCO.COM