



# CLASSIC SERIES A3S

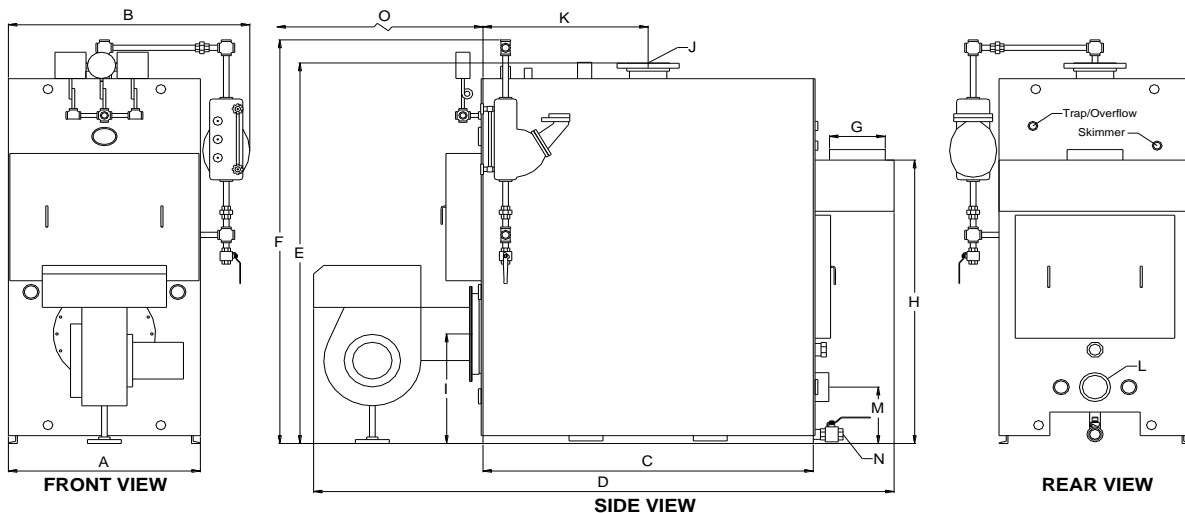
15 PSI STEAM / 30, 40, 80, 150 PSI WATER • 83-87% EFFICIENCY  
 HORIZONTAL FIRETUBE BOILER MANUFACTURED BY ALDRICH COMPANY FOR OVER 30 YEARS  
 HIGH EFFICIENCY • HEAVY DUTY CONSTRUCTION • THREE PASS SCOTCH BOX DESIGN • ASME SECTION IV

## BOILER RATINGS & DIMENSIONS

MODEL: A3S-	580	800	1000	1250	1500	1800	2070	2250	2650	2760	3000	3350	3680	4040
Gas Input (MBH)	695	960	1,200	1,505	1,805	2,165	2,490	2,710	3,190	3,325	3,610	4,035	4,430	4,865
Oil Input (GPH)	5.0	6.9	8.6	10.8	12.9	15.5	17.8	19.4	22.8	23.8	25.8	28.8	31.6	34.8
Output (MBH)	580	800	1,000	1,250	1,500	1,800	2,070	2,250	2,650	2,760	3,000	3,350	3,680	4,040
Output (Horsepower)	17	24	30	37	45	54	62	67	79	82	90	100	110	120
Htg Surf. FS (Sq Ft)	60	87	109	135	162	200	242	242	285	299	325	375	385	425
Htg Surf. WS (Sq Ft)	68	94	120	148	180	221	267	267	316	329	360	417	428	470
Furnace Vol (Cu Ft)	4.5	6.1	6.1	7.7	9.3	13.6	15.8	15.8	20.3	20.3	20.3	23.2	23.2	26.0
Water Cap. (Gal, NWL)	89	116	108	135	160	206	237	237	282	278	270	306	303	344
Dry Weight (LBS)	1,750	2,050	2,150	2,500	2,825	3,500	3,950	3,950	4,625	4,675	4,775	5,250	5,300	5,675
A Width	28	28	28	28	28	**35¼	**35¼	**35¼	**35¼	**35¼	**35¼	**35¼	**35¼	**35¼
B Width With Trim	40	40	40	40	40	46	46	46	46	46	46	46	46	46
C Length of Skid	29	39	39	49	59	59	68	68	68	68	68	78	78	88
D Overall Length	64	76	76	91	110	112	121	121	128	128	128	138	144	154
E Supply Height	64	64	64	64	64	72	72	72	78	78	78	78	78	78
F Height With Trim	72	72	72	72	72	79	79	79	86	86	86	86	86	86
G Stack Dia., O.D.	6	8	8	8	8	10	10	10	12	12	12	12	12	12
H Stack Height	50	50	50	50	50	54	54	54	61	61	61	61	61	61
I Burner Port Height	18	18	18	18	18	20	20	20	20	20	20	20	20	20
J Supply Size (*Flg)	3	3	*4	*4	*4	*6	*6	*6	*6	*6	*6	*6	*8	*8
K Supply Location	14½	19½	19½	24½	29	29	34	34	34	34	34	39	39	44
L Return Size (NPT)	2	2	3	3	3	4	4	4	4	4	4	4	4	4
M Return Height	8½	8½	8½	8½	8½	10½	10½	10½	10½	10½	10½	10½	10½	10½
N BD/Drain Size	1½	1½	1½	1½	1½	1½	1½	1½	1½	1½	1½	1½	1½	1½
O Tube Pull Space	30	40	40	50	60	60	69	69	69	69	69	79	79	89

\*\*WIDTH LISTED AT 35¼" (THIS INCLUDES THE ANGLE TRIM FOR SECURING OUTER BOILER JACKET). WIDTH WITH ANGLE TRIM REMOVED IS 34".

ALL DIMENSIONS ARE IN INCHES. DIMENSIONS SUBJECT TO CHANGE WITHOUT NOTICE. CERTIFIED DRAWING AVAILABLE UPON REQUEST. CONSULT FACTORY FOR CUSTOMIZED APPLICATIONS.



**QUALITY • PERFORMANCE • EFFICIENCY • EXPERIENCE**

“QUALITY PRODUCTS BY LOYAL CRAFTSMEN” STEEL BOILERS & WATER HEATERS SINCE 1936

ALDRICH COMPANY • 341 EAST WILLIAMS ST., P.O. BOX 97, WYOMING, IL 61491 • TEL: 309-695-2311 • FAX: 309-695-5779

[WWW.ALDRICHCO.COM](http://WWW.ALDRICHCO.COM)

Classic A3S 11-2021