

AVR

HIGH EFFICIENCY BOILERS



85 - 87% EFFICIENCY
VERTICAL FIRETUBE BOILER
ALL STEEL CONSTRUCTION
ASME SECTION IV
30, 100 & 150 PSI DESIGN PRESSURE
THERMAL SHOCK PROOF DESIGN
MODELS: 600 MBTUH - 3,300 MBTUH
UL APPROVED BURNER PACKAGE
GAS • OIL • COMBINATION GAS/OIL
VERSATILITY • RELIABILITY • EFFICIENCY

FEATURES:

- 85 - 87% EFFICIENCY
- MAXIMUM PERFORMANCE
- MINIMUM MAINTENANCE
- MODULATING WITH CHARACTERIZED CAM
- OPTIONAL LINKAGELESS MODULATION
- UP TO 5:1 TURNDOWN
- OPTIONAL ECM HIGH EFFICIENCY PUMPS
- HEAVY DUTY CONSTRUCTION
- EXTRA HEAVY TUBES FOR EXTENDED LIFE
- WATER SURROUNDED FURNACE
- CATEGORY III VENTING
- NEW INSTALLATIONS
- RETRO-FIT APPLICATIONS

APPLICATION:

- IDEAL BOILER TO INCREASE SYSTEM EFFICIENCY
- BOTH NEW & RETRO-FIT APPLICATIONS
- MAY REUSE EXISTING CATEGORY III VENTING RESULTING IN HUGE SAVINGS WHEN COMPARED TO COST OF CATEGORY IV VENTING.

DESIGN:

- ASME CODE SECTION IV
- THERMAL SHOCK PROOF FIRETUBE DESIGN
- ENGINEERED WITH WATER SURROUNDED FURNACE
- EXTRA HEAVY TUBES FOR EXTENDED LIFE
- STRUCTURAL CHANNEL BASE FOR EASE OF ACCESS & RIGGING INTO PLACE
- OPTIONAL HEAT EXCHANGER (TANKLESS COIL) FOR INDIRECT LOADS. 150 - 2,400 GPH



AVR SERIES MODULAR HEATING SYSTEMS



The forte of Aldrich Company has always been to only manufacture products of the highest quality and design, by using the finest materials available and employing loyal craftsmen with the skills and aptitude necessary towards this end. We outsource no sub-assemblies and we procure only domestic steel and tubing to fabricate our pressure vessels. All Aldrich boilers and water heaters are constructed and stamped to Section IV of the ASME code and registered with the National Board of Pressure Vessel Inspectors.

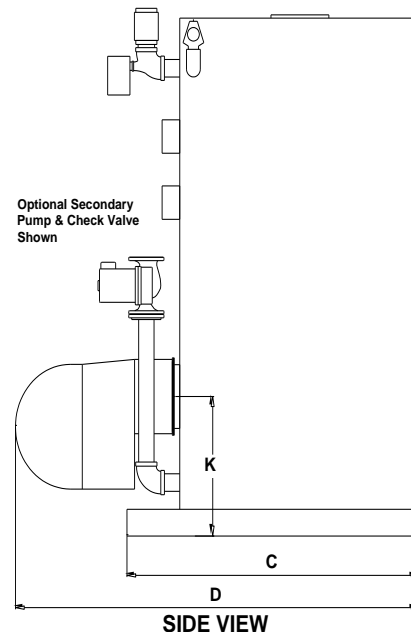
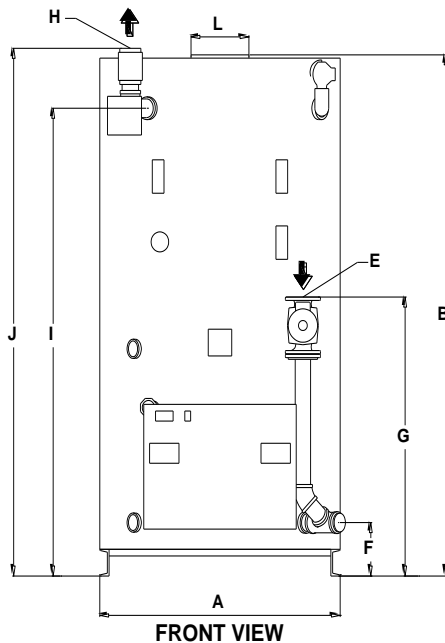
BOILER RATINGS & DIMENSIONS

MODEL: AVR-	*600	700	800	*900	1000	*1200	1350	1500	*1600	1800	*2000	2200	*2400	2500	2800	*3000	3300
Gas Input (MBH)	600	700	800	900	1,000	1,200	1,350	1,500	1,600	1,800	2,000	2,200	2,400	2,500	2,800	3,000	3,300
Oil Input (GPH)	4.3	5.0	5.7	6.4	7.1	8.6	9.6	10.7	11.4	12.9	14.3	15.7	17.1	17.9	20.0	21.4	23.6
Output (MBH)	522	609	696	783	870	1,044	1,175	1,305	1,392	1,566	1,740	1,914	2,088	2,175	2,436	2,610	2,871
Output (Horsepower)	16	18	21	23	26	31	35	39	42	47	52	57	62	65	73	78	86
Htg Surf. FS (Sq Ft)	61	70	85	90	98	122	136	156	162	180	199	222	244	263	282	307	338
Htg Surf. WS (Sq Ft)	66	77	90	99	108	134	151	166	179	200	220	246	271	292	313	340	375
Furnace Vol (Cu Ft)	4.3	4.3	5.6	5.6	6.1	7.7	8.4	9.1	9.1	10.7	11.7	13.8	14.7	14.7	17.3	17.6	20.6
Water Cap. (Gal, Full)	78	75	106	98	92	124	115	145	153	136	190	169	240	220	209	272	240
Dry Weight (LBS)	975	1,025	1,200	1,225	1,275	1,500	1,575	1,800	1,825	1,925	2,150	2,275	2,550	2,650	2,775	3,150	3,350
A Width	28	28	30¼	30¼	30¼	34¼	34¼	36½	36½	36½	41	41	45	45	45	49	49
B Height	68	68	73	73	73	73	73	79	79	79	80	80	80	80	80	80	80
C Length of Skid	36	36	39	39	39	43	43	45	45	45	50	50	54	54	54	57	57
D Overall Length	54	54	56¼	56¼	56¼	60¼	60¼	62½	62½	62½	67	77	81	81	81	85	85
E Return Size	1½	1½	1½	1½	1½	2	2	2½	2½	2½	3	3	3	3	3	3	3
F Return Height	9	9	9	9	9	9	9	9	9	9	10	10	10	10	10	10	10
G Return Height with Pump	28	28	28	28	28	30	30	30	30	30	32	32	38	38	38	38	38
H Supply Size	1½	1½	1½	1½	1½	2	2	2½	2½	2½	3	3	3	3	3	3	3
I Supply Height	62	62	68	68	68	67	67	74	74	74	75	75	75	75	75	75	75
J Supply Height with CV	68	68	74	74	74	74	74	80	80	80	84	84	84	84	84	84	84
K Burner Port Height	16	16	18	18	18	18	18	18	18	18	19	19	19	19	19	19	19
L Flue Size	6	6	8	8	8	8	8	10	10	10	10	10	12	12	12	12	12

ALL DIMENSIONS ARE IN INCHES. DIMENSIONS SUBJECT TO CHANGE WITHOUT NOTICE. CERTIFIED DRAWING AVAILABLE UPON REQUEST.

STANDARD RETURN/SUPPLY SIZES LISTED MAY BE INCREASED FOR HIGH FLOW APPLICATIONS.

* THESE MODELS MAY BE PROVIDED WITH FACTORY INSTALLED COPPER FINNED TANKLESS COILS FOR INDIRECT HEATING.



QUALITY • PERFORMANCE • EFFICIENCY • EXPERIENCE

ALDRICH COMPANY • 341 EAST WILLIAMS STREET, P.O. BOX 97 • WYOMING, IL 61491 • TEL: 309-695-2311 • FAX: 309-695-5779