



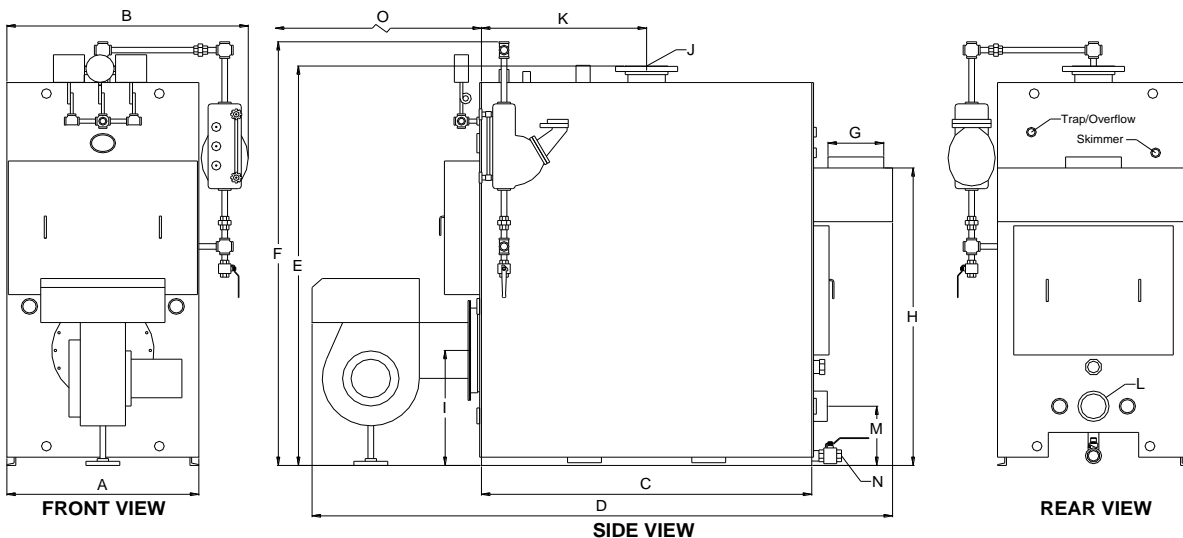
CLASSIC SERIES A3S5

15 PSI STEAM / 30, 40, 80 PSI WATER • 83-88% EFFICIENCY • 5 SQ FT FIRESIDE HEATING SURFACE/BHP
 HORIZONTAL FIRETUBE BOILER MANUFACTURED BY ALDRICH COMPANY FOR OVER 25 YEARS
 HIGH EFFICIENCY • HEAVY DUTY CONSTRUCTION • THREE PASS SCOTCH BOX DESIGN • ASME SECTION IV

BOILER RATINGS & DIMENSIONS

MODEL: A3S5-	12	16	20	25	30	40	50	60	65	75	85	90	100
Gas Input (BTUH)	480,000	645,000	800,000	1,000,000	1,290,000	1,610,000	2,010,000	2,410,000	2,610,000	3,020,000	3,430,000	3,620,000	4,035,000
Oil Input (GPH)	3.4	4.6	5.7	7.1	9.2	11.5	14.4	17.2	18.6	21.6	24.5	25.9	28.8
Output (BTUH)	400,000	535,000	670,000	835,000	1,070,000	1,340,000	1,675,000	2,010,000	2,175,000	2,510,000	2,785,000	3,015,000	3,350,000
Output (Horsepower)	12	16	20	25	30	40	50	60	65	75	85	90	100
Htg Surf. FS (Sq Ft)	60	87	102	125	162	200	250	299	325	375	425	458	508
Furnace Vol (Cu Ft)	4.5	6.1	6.1	7.7	9.3	13.6	15.8	20.3	20.3	23.2	26.0	28.1	30.2
Water Cap. (Gal, NWL)	89	116	111	138	160	206	226	278	270	306	344	360	402
Dry Weight (LBS)	1,350	1,650	1,750	2,100	2,425	3,000	3,500	3,975	4,100	4,600	4,975	5,250	5,650
A Width	28	28	28	28	28	34	34	34	34	34	34	34	34
B Width With Trim	40	40	40	40	40	46	46	46	46	46	46	46	46
C Length of Skid	29	39	39	49	59	59	68	68	68	78	88	92	94
D Overall Length	64	76	76	86	101	103	121	123	123	133	148	156	158
E Supply Height	64	64	64	64	64	72	72	78	78	78	78	78	78
F Height With Trim	72	72	72	72	72	79	79	86	86	86	86	86	86
G Stack Dia., O.D.	6	8	8	8	8	10	10	12	12	12	12	12	12
H Stack Height	50	50	50	50	50	54	54	61	61	61	61	61	61
I Burner Port Height	18	18	18	18	18	20	20	20	20	20	20	20	20
J Supply Size (*Flg)	3	3	3	*4	*4	*6	*6	*6	*6	*6	*8	*8	*8
K Supply Location	14½	19½	19½	24½	29	29	34	34	34	39	44	45	47
L Return Size (NPT)	2	2	3	3	3	4	4	4	4	4	4	4	4
M Return Height	8½	8½	8½	8½	8½	10½	10½	10½	10½	10½	10½	10½	10½
N BD/Drain Size	1½	1½	1½	1½	1½	1½	1½	1½	1½	1½	1½	1½	1½
O Tube Pull Space	30	40	40	50	60	60	69	69	69	79	89	90	94

ALL DIMENSIONS ARE IN INCHES. DIMENSIONS SUBJECT TO CHANGE WITHOUT NOTICE. CERTIFIED DRAWING AVAILABLE UPON REQUEST.



QUALITY • PERFORMANCE • EFFICIENCY • EXPERIENCE

“QUALITY PRODUCTS BY LOYAL CRAFTSMEN” STEEL BOILERS & WATER HEATERS SINCE 1936

ALDRICH COMPANY • 341 EAST WILLIAMS ST., P.O. BOX 97, WYOMING, IL 61491 • TEL: 309-695-2311 • FAX: 309-695-5779