

# Aldrich Company

"Quality Products by Loyal Craftsmen" Steel Boilers & Water Heaters Since 1936  
 341 East Williams St., P.O. Box 97, Wyoming, IL 61491 • TEL: 309-695-2311 • FAX: 309-695-5779

## AHFCR SERIES

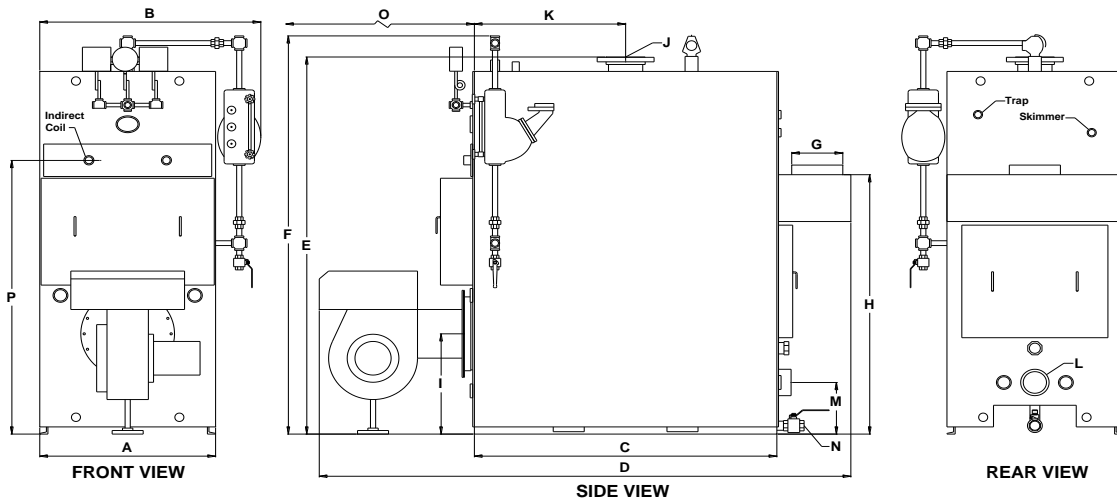
**MULTI-FUNCTION THREE PASS FIRETUBE BOILER • 83-87% EFFICIENCY • HEAVY DUTY CONSTRUCTION  
 15 PSI STEAM / 30 PSI WATER • INTEGRAL FINNED HEAT EXCHANGER FOR INDIRECT LOADS**

### BOILER RATINGS & DIMENSIONS

MODEL: AHFCR-	580	800	1000	1250	1500	1800	2070	2250	2650	2760	3000	3350	3680	4040
Gas Input (BTUH)	695,000	960,000	1,200,000	1,505,000	1,805,000	2,165,000	2,490,000	2,710,000	3,190,000	3,325,000	3,610,000	4,035,000	4,430,000	4,865,000
Oil Input (GPH)	5.0	6.9	8.6	10.8	12.9	15.5	17.8	19.4	22.8	23.8	25.8	28.8	31.6	34.8
Output (BTUH)	580,000	800,000	1,000,000	1,250,000	1,500,000	1,800,000	2,070,000	2,250,000	2,650,000	2,760,000	3,000,000	3,350,000	3,680,000	4,040,000
Output (Horsepower)	17	24	30	37	45	54	62	67	79	82	90	100	110	120
Htg Surf. FS (Sq Ft)	60	87	109	135	162	200	242	242	285	299	325	375	385	425
Htg Surf. WS (Sq Ft)	68	94	120	148	180	221	267	267	316	329	360	417	428	470
Furnace Vol (Cu Ft)	4.5	6.1	6.1	7.7	9.3	13.6	15.8	15.8	20.3	20.3	20.3	23.2	23.2	26.0
Water Cap. (Gal, NWL)	109	136	128	160	185	281	312	312	362	358	350	386	383	424
Dry Weight (LBS)	1,500	1,800	1,900	2,250	2,575	3,150	3,600	3,625	4,100	4,150	4,275	4,750	4,850	5,200
<b>A Width</b>	28	28	28	28	28	34	34	34	34	34	34	34	34	34
<b>B Width With Trim</b>	40	40	40	40	40	46	46	46	46	46	46	46	46	46
<b>C Length of Skid</b>	29	39	39	49	59	59	68	68	68	68	68	78	78	88
<b>D Overall Length</b>	64	76	76	91	110	112	121	121	128	128	128	138	144	154
<b>E Supply Height</b>	70	70	70	70	70	78	78	78	84	84	84	84	84	84
<b>F Height With Trim</b>	78	78	78	78	78	85	85	85	92	92	92	92	92	92
<b>G Stack Dia., O.D.</b>	6	8	8	8	8	10	10	10	12	12	12	12	12	12
<b>H Stack Height</b>	50	50	50	50	50	54	54	54	61	61	61	61	61	61
<b>I Burner Port Height</b>	18	18	18	18	18	20	20	20	20	20	20	20	20	20
<b>J Supply Size (*Fig)</b>	3	3	*4	*4	*4	*6	*6	*6	*6	*6	*6	*6	*8	*8
<b>K Supply Location</b>	14½	19½	19½	24½	29	29	34	34	34	34	34	39	39	44
<b>L Return Size (NPT)</b>	2	2	3	3	3	4	4	4	4	4	4	4	4	4
<b>M Return Height</b>	8½	8½	8½	8½	8½	10½	10½	10½	10½	10½	10½	10½	10½	10½
<b>N BD/Drain Size</b>	1½	1½	1½	1½	1½	1½	1½	1½	1½	1½	1½	1½	1½	1½
<b>O Tube Pull Space</b>	30	40	40	50	60	60	69	69	69	69	69	79	79	89
<b>P Indirect Coil Height</b>	52	52	52	52	52	56½	56½	56½	62½	62½	62½	62½	62½	62½

ALL DIMENSIONS ARE IN INCHES. DIMENSIONS SUBJECT TO CHANGE WITHOUT NOTICE. CERTIFIED DRAWING AVAILABLE UPON REQUEST.

CONSULT FACTORY FOR AVAILABLE INDIRECT COIL CONFIGURATIONS, CAPACITIES AND MATERIALS.



**QUALITY • PERFORMANCE • EFFICIENCY • EXPERIENCE**