



**“Quality Products by Loyal Craftsmen”
Steel Boilers & Water Heaters**

AVW SERIES COMMERCIAL HYDRONIC BOILERS

VERTICAL FIRETUBE BOILER

ALL STEEL CONSTRUCTION ASME SECTION IV

30-150 PSI DESIGN PRESSURE

THERMAL SHOCK PROOF DESIGN

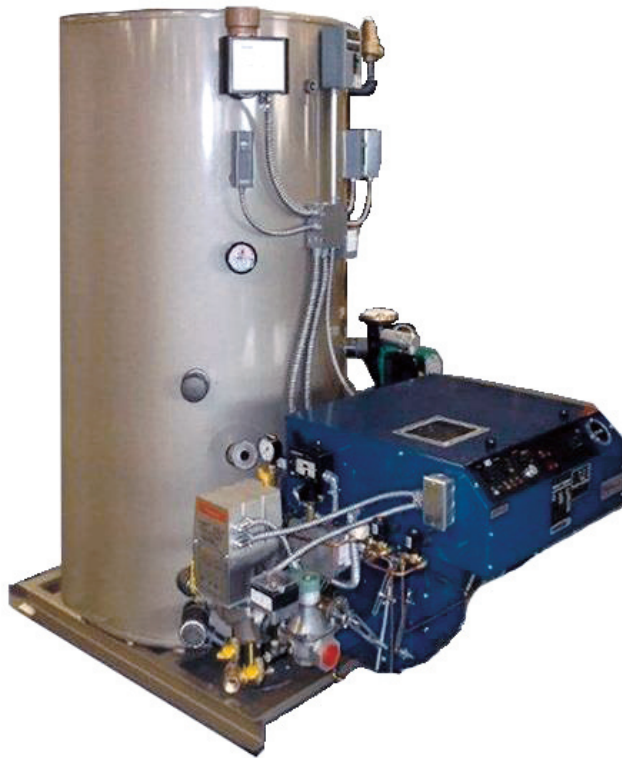
18 MODELS: 165 MBTUH - 2,750 MBTUH

GAS • OIL • COMBINATION GAS/OIL

CONSTRUCTION: Aldrich Company first introduced the low stress thermal shock resistant single pass vertical design more than 70 years ago. With thousands of boilers installed worldwide this has proven to be a robust boiler design. With a water surrounded vertical furnace the “AVW” Series design results in the best heat transfer in the industry.

VERSATILITY: The “AVW” Series may be factory constructed with an integral copper finned heat exchanger allowing the boiler the ability to provide both hydronic heating and indirect heating. Tankless coil ratings of 150 – 2,400 GPH make the AVW ideal for use as an indirect hot water supply boiler for car washes, laundries, commercial swimming pools, and restaurants.

EFFICIENCY: The “AVW” Series Boilers combine the construction of the Aldrich vertical firetube boiler with a forced draft burner for proven efficiencies of 83%. Turbulators insure positive furnace pressure necessary to achieve the highest non-condensing combustion efficiencies in the industry.



QUALITY • PERFORMANCE • EFFICIENCY • EXPERIENCE

ALDRICH COMPANY • 341 EAST WILLIAMS STREET, P.O. BOX 97 • WYOMING, IL 61491 • TEL: 309-695-2311 • FAX: 309-695-5779



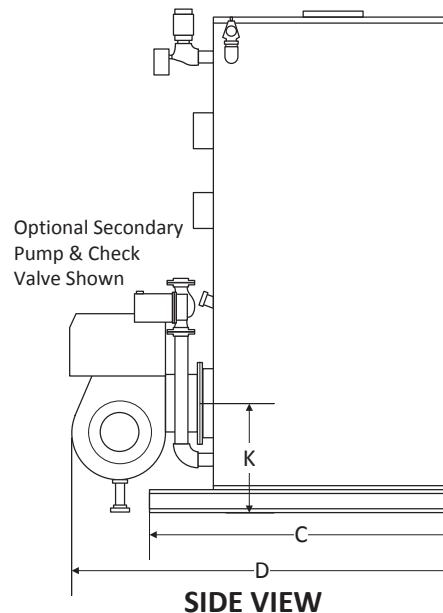
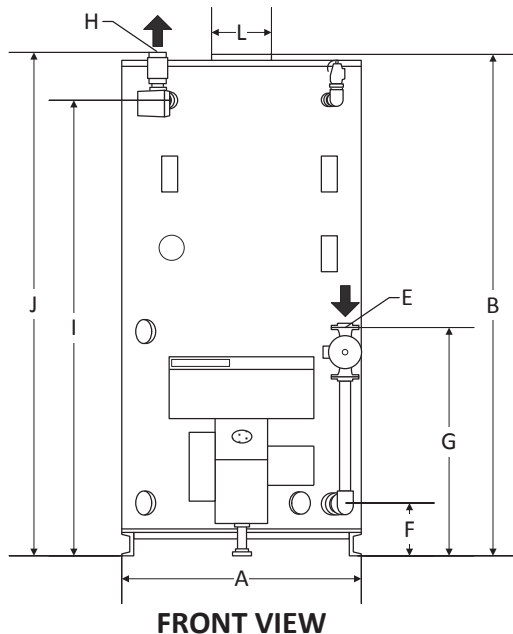
The forte of Aldrich Company has always been to only manufacture products of the highest quality and design, by using the finest materials available and employing loyal craftsmen with the skills and aptitude necessary towards this end. We outsource no sub-assemblies and we procure only domestic steel and tubing to fabricate our pressure vessels. All Aldrich boilers and water heaters are constructed and stamped to Section IV of the ASME code and registered with the National Board of Pressure Vessel Inspectors.



BOILER RATINGS & DIMENSIONS

MODEL: AVW-	25	37	50	60	70	78	100	110	135	150	180	200	220	245	270	315	340	375
Gas Input (MBH)	200	305	399	505	600	700	900	1,000	1,200	1,350	1,635	1,800	2,000	2,200	2,420	2,825	3,020	3,300
Oil Input (GPH)	1.4	2.2	2.9	3.6	4.3	5.0	6.4	7.1	8.6	9.6	11.7	12.9	14.3	15.7	17.3	20.2	21.6	23.6
Output (MBH)	165	250	330	420	500	575	750	835	1,000	1,125	1,360	1,500	1,675	1,840	2,010	2,345	2,510	2,750
Output (Horsepower)	5	7.5	10	12.5	15	17.5	22.5	25	30	33.5	40	45	50	55	60	70	75	82.5
Htg Surf. FS (Sq Ft)	24	33	45	53	61	70	90	98	122	136	162	180	199	222	244	282	307	338
Htg Surf. WS (Sq Ft)	26	36	50	58	66	77	99	108	134	151	179	200	220	246	271	313	340	375
Furnace Vol (Cu Ft)	1.9	1.9	3.3	3.3	4.3	4.3	5.6	6.1	7.7	8.4	9.1	10.7	11.7	13.8	14.7	17.3	17.6	20.6
Water Cap. (Gal, Full)	41	38	59	57	78	75	98	92	124	115	153	136	190	169	240	209	272	240
Dry Weight (LBS)	500	550	775	825	975	1,025	1,225	1,275	1,500	1,575	1,825	1,925	2,150	2,275	2,550	2,775	3,150	3,350
A Width	22	22	25	25	28	28	30½	30½	34¼	34¼	36½	36½	41	41	45	45	49	49
B Height	53	53	64	64	66	66	71	71	71	71	77	77	78	78	78	78	78	78
C Length of Skid	30	30	36	36	36	36	39	39	43	43	45	45	50	50	54	54	57	57
D Overall Length	48	48	51	51	54	54	56	56	62	62	64	64	72	72	78	78	88	88
E Return Size *	1½	1½	1½	1½	1½	1½	1½	1½	2	2	2½	2½	3	3	3	3	3	3
F Return Height	7	7	7	7	7	7	7	7	7	7	7	7	8	8	8	8	8	8
G Return Height with Pump	26	26	26	26	28	28	28	28	30	30	30	30	32	32	38	38	38	38
H Supply Size *	1½	1½	1½	1½	1½	1½	1½	1½	2	2	2½	2½	3	3	3	3	3	3
I Supply Height	48	48	59	59	60	60	66	66	65	65	72	72	73	73	73	73	73	73
J Supply Height with CV	54	54	65	65	66	66	72	72	72	72	78	78	82	82	82	82	82	82
K Burner Port Height	12	12	13	13	14	14	16	16	16	16	16	16	17	17	17	17	17	17
L Flue Size	5	5	6	6	6	6	8	8	8	8	10	10	10	10	12	12	12	12

ALL DIMENSIONS ARE IN INCHES. DIMENSIONS ARE SUBJECT TO CHANGE WITHOUT NOTICE. RETURN/SUPPLY SIZES AS LISTED MAY BE INCREASED FOR HIGH FLOW APPLICATIONS.



QUALITY • PERFORMANCE • EFFICIENCY • EXPERIENCE

ALDRICH COMPANY • 341 EAST WILLIAMS STREET, P.O. BOX 97 • WYOMING, IL 61491 • TEL: 309-695-2311 • FAX: 309-695-5779